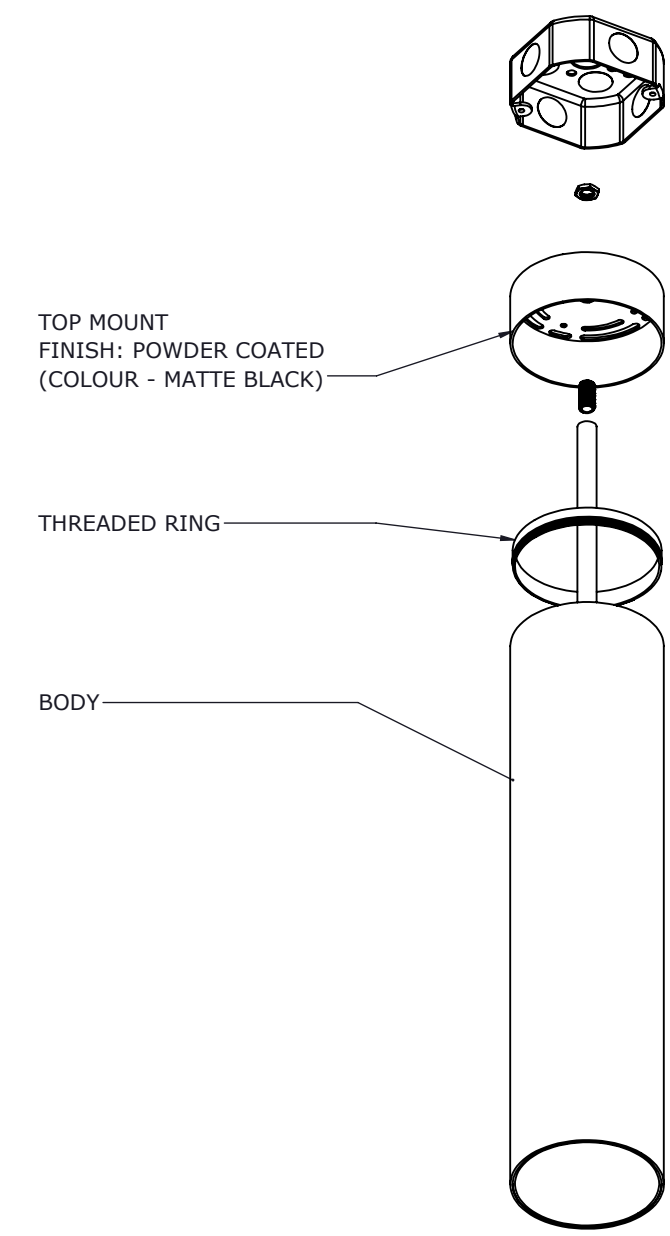
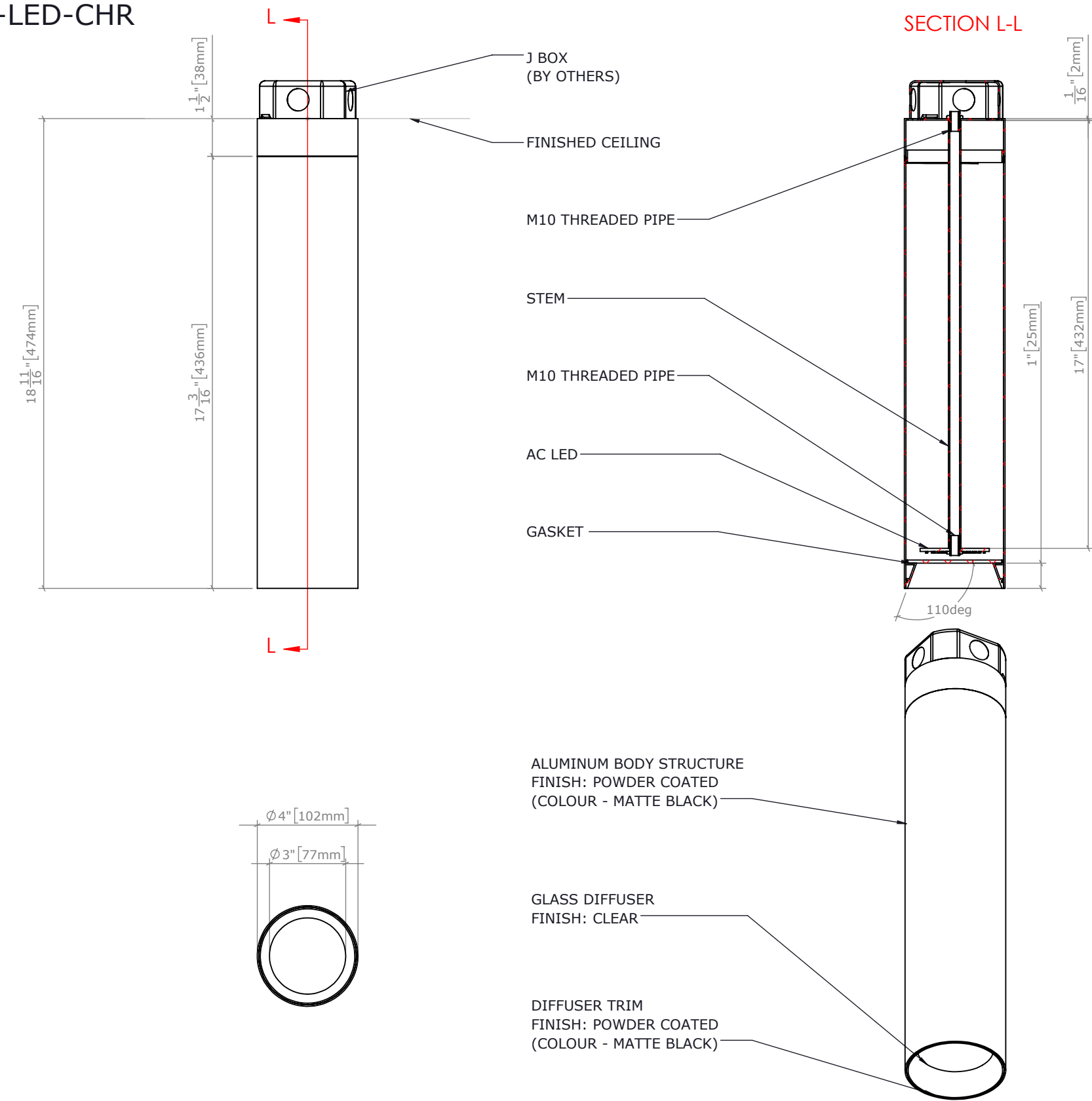




TUBO DIRECT - CEILING MOUNT - (DOWN LIGHT)
LGN-2118-LED-CHR
QTY:20

REVISIONS		
REV.	DESCRIPTION	DATE
0	ISSUED FOR APPROVAL	2021-04-15



LAMPING:
 AC LED BOARD 7W, 700LM, 3000K, CRI 90
 TRIAC DIMMING

NOTES:
TRIAC DIMMING
FINISHES AVAILABLE IN BLACK, WHITE, CHROME
IP65 RATED

PROJECT: TUBO	SALES: FL	MODEL: 2118
LAMP: AC LED 7W, 700LM, 3000K, CRI 90	CERT.: ETL	WEIGHT: ±10LBS VOLT:120V
DWG:OC24238	BY: AA DATE: 2021-04-06	SCALE: 1:3